



## PRODUCT DATA SHEETS

### THE GRID HOOK GOLD – A WALKWAY GRATING LIFTING DEVICE



**Purposely Designed and Manufactured to Lift Walkway Grating or Grid Mesh**

- \* Conforms with Australian Standard requirements AS 4991-2004
- \* Conforms with American Standard requirements ASME B30.26-2015
- \* Conforms with European Standard requirements EN 13155:2003+A2:2009
- \* Conforms to the requirements to carry the European CE Mark
  
- \* Each Lifter is Proof Load Tested to above Standards
- \* Proof load tested to 3,600 LBS / 16KN / 1,600 KG, more than two and a half time the SWL
- \* **Safe Working Load Limit ( SWL ) 550 KG**
- \* Maximum textile strength : 45kN / 10116LBS / 4,588 KG
- \* Safety Factor is 8:1 (tensile strength 4,588 Kg divide by W.L.L. 550 Kg = 8:1)

#### **Material Composition**

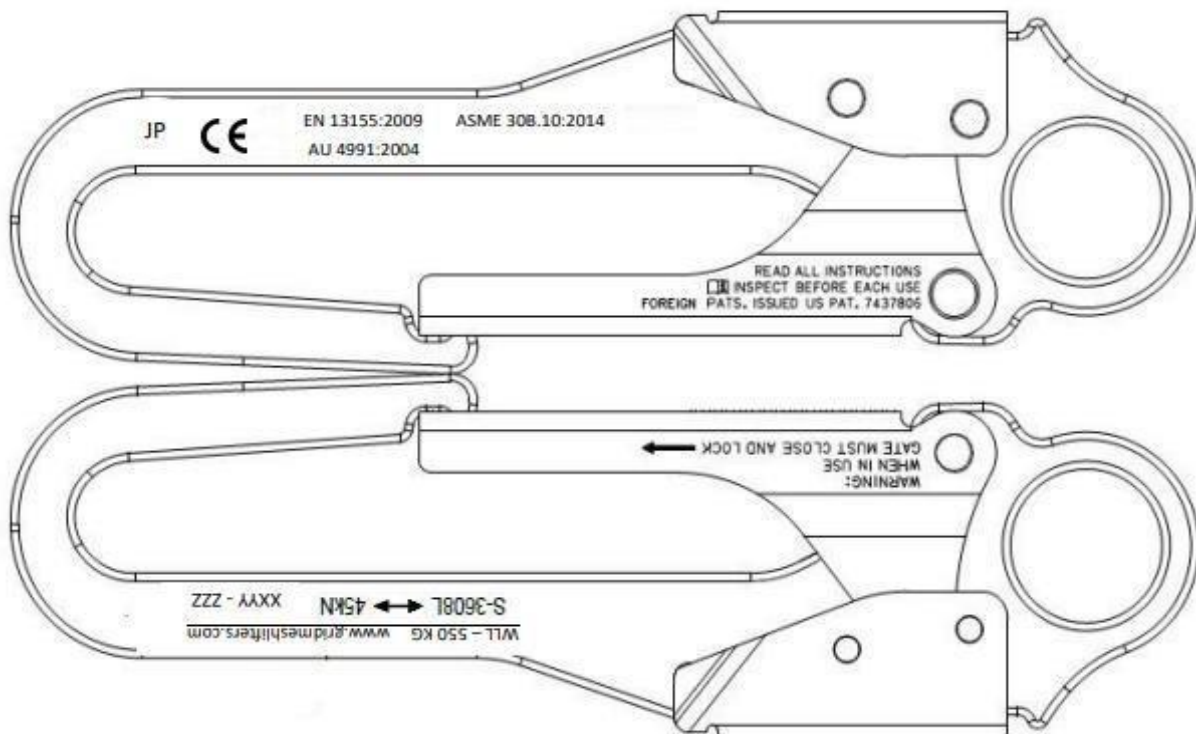
\* Material : SAE 4130

<b>Material : SAE 4130</b>									<b>Material Origin : Taiwan</b>		
<b>Manufacturer : CHINA STEEL CORPORATION</b>											
									<b>Chemical Analysis</b>		
Al	B	Be	Bi	C	Ca	Cb	Cd	Co	Cr	Cu	Fe
0.041				0.31					0.96	0.01	
Ga	Li	Mg	Mn	Mo	Na	Ni	P	Pb	S	Sb	Si
			0.51	0.17		0.01	0.014		0.002		0.05
Sn	Sr	Ti	V	Zn	Zr						

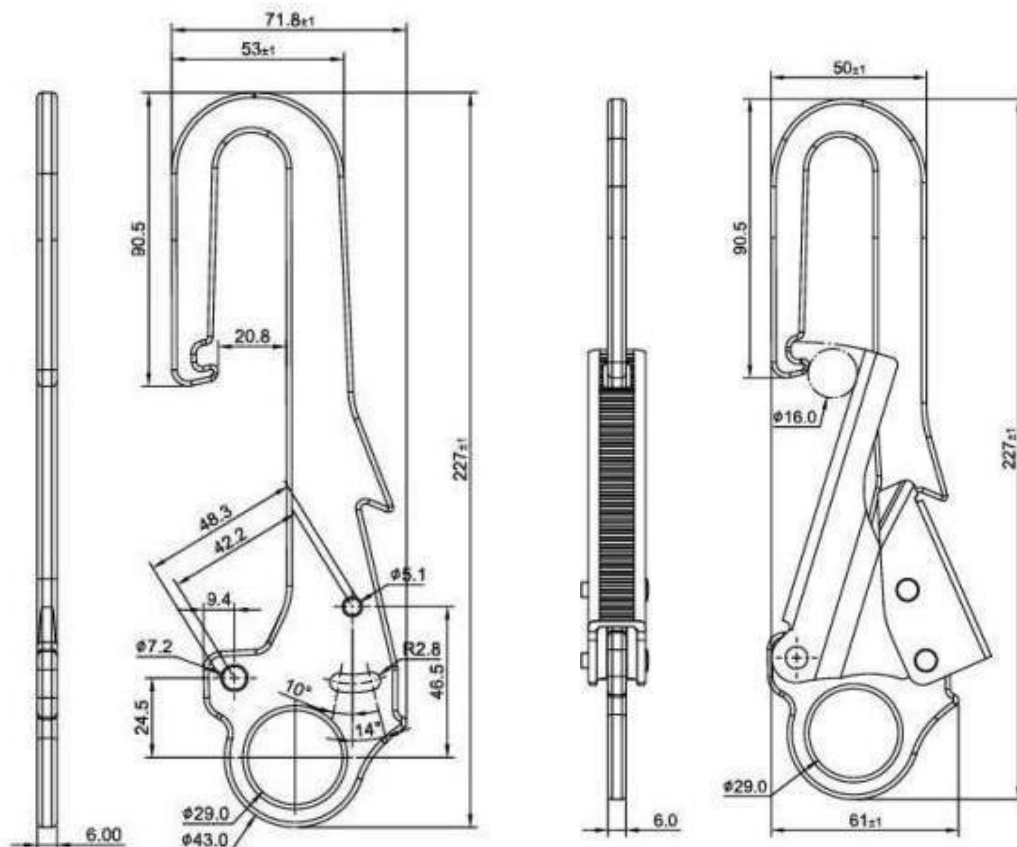
- \* Hardness : HRC 35 to 42
- \* Yellow chromate Plated
- \* Minimum 48 hours salt spray rating
- \* Double locking safety latch
- \* 100% Visual inspected
- \* 100% Function tested before shipping



### Grid Hook Gold Marking



### Grid Hook Gold Dimensions





## For further information about the Grid Mesh Lifters, follow the links below:

Website: <https://gridmeshlifters.com>

Grid Hook Gold - Operators Manual: <https://gridmeshlifters.com/grid-hook-gold-operators-manual>

How to use videos: <https://gridmeshlifters.com/how-to-video>

CE Mark Conformity Declaration: <https://gridmeshlifters.com/grid-hook-gold-declaration-of-ce-mark-conformity>

Standards Conformity Declaration: <https://gridmeshlifters.com/grid-hook-gold-declaration-of-conformity-to-standards>

Please contact your distributor to place your order to purchase the Grid Hook Gold. We are a distributor based company and prefer all orders go through your local distributor.

For international sales and distributorship inquiries please contact:

**Maksim Mishchenko**

Tel.: +61 8 8121 4353

Mob.: +855 87 493 189

WhatsApp: +998 94 044 4822

E-Mail: [gridmeshlifters@inter-techs.com](mailto:gridmeshlifters@inter-techs.com)

Kind Regards

**David Milne and Gareth Winn**

Inventors and owners of the Grid Hook Gold – A Walkway Grating Lifting Device